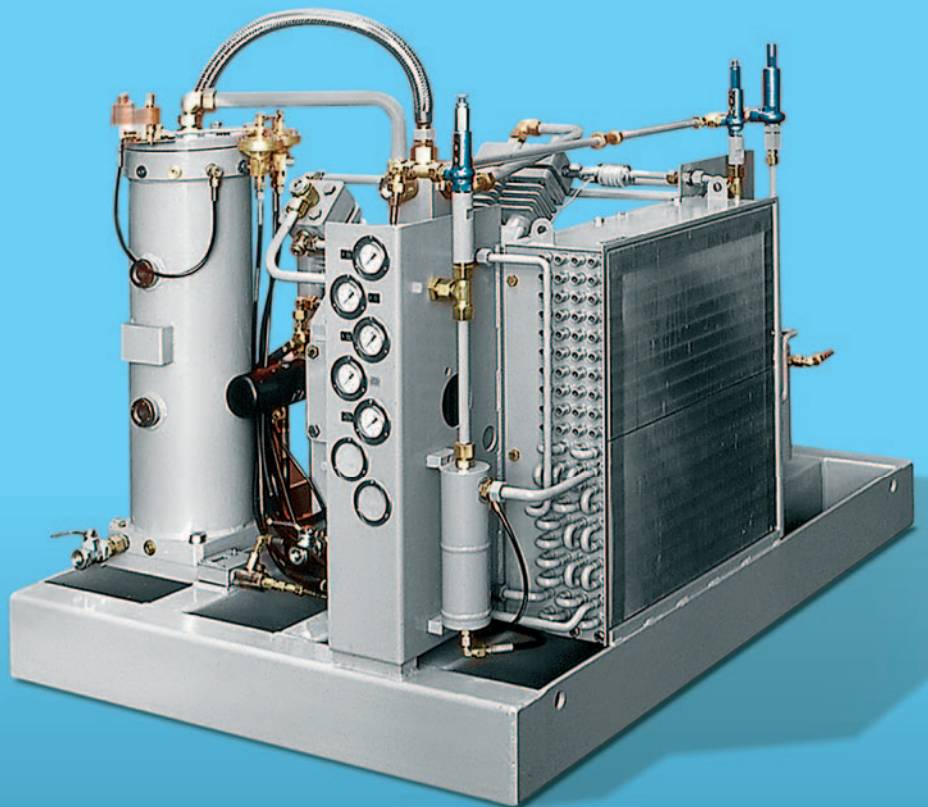

High Pressure Compressor Type CC



GREENFIELD is your specialist for high-pressure systems. With a century of experience in this business we have been able to maintain and even improve our strong market position providing total solutions – from a single compressor to complete systems.

Today, GREENFIELD is the technology leader worldwide with its high-end premium products engineered in Switzerland.

With a century of experience in high-pressure technology and the fact of thousands of compressors installed worldwide, GREENFIELD is ready to serve your needs for peak performance and success in the market.

As part of the Atlas Copco Group GREENFIELD has global access to over 150 markets, which are served through our production facilities either in Switzerland or in the United States.

This comprehensive Sales and Service Network assures our customers direct access to the most reliable and technologically advanced equipment available.

Compressor Type CC

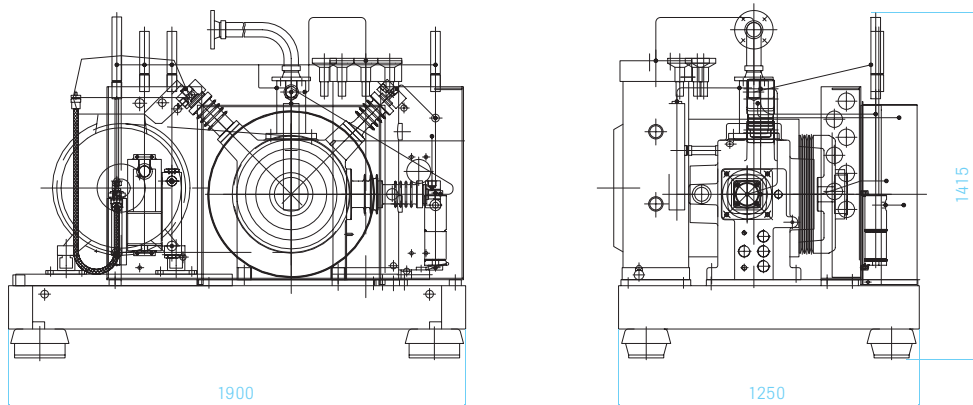
The air-cooled, lubricated trunk-piston compressor type CC offers field-proven ruggedness and reliability. Due to its simple and compact design the unit is space-saving and easy to maintain. The frame mounted compressor is bedded on vibration dampening elements and therefore requires no

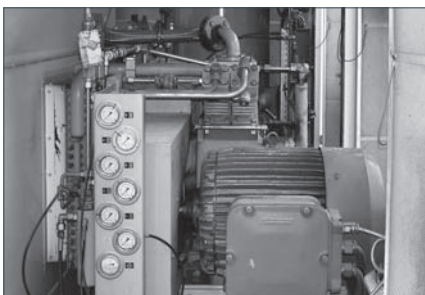
special foundation or factory erectors for its easy installation. Low compression ratios per stage allow high cylinder loads with comparable low temperatures. Results are high volumetric efficiency, low maintenance and more safety.

Technical Data

Suction pressure:	up to 17 bara
Working pressure:	up to 351 bara
Flow rate:	up to 250 Nm ³ /h
Motor power:	max. 55 kW
Weight:	approx. 1350 kg (without motor)
Size:	1900 × 1250 × 1415 (L × W × H)
Gases:	Natural gas, He and other noble gases, air, N ₂ , typical industrial gases, etc.
Applications:	CNG refuelling systems, bottle filling, oil- and gas production, chemical/ petrochemical industry, gas purification and recovery, air-blast circuit breaker systems, seismic oil and gas exploration, etc.

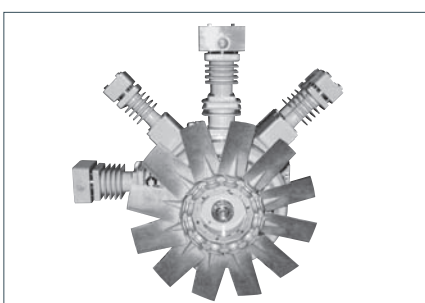
Dimensions





Standard Features

- 1–5 stage compression
- Frame-mounted unit
- High efficiency air cooler
- Pressure-tight, sealed crankcase
- Combined Suction/Discharge valves
- Electric Motor drive with v-belts
- multiple speed capabilities
- Stainless steel tubing
- Set of gauges and safety valves on suction, interstage and discharge side
- Pressure transmitter on suction and discharge side
- Temperature transmitter on discharge side
- Set of separators with automatic condensate drain
- Direct driven cooling-air fan
- Antivibration pads
- PED/ATEX conformity



Available Standard Options*

- Working pressures up to 501 bara
- Level controlled condensate tank drain
- Oil heater
- Inlet and outlet filters (particle, oil)
- Control cabinets
- Acoustic canopy
- 3rd party inspection by TUV



* Other non-standard options on request.

The CC – Benefits at a Glance:

- Field-proven ruggedness and reliability
 - Final pressure up to 351 bar
 - Pressure tight, sealed crankcase
 - Flow rate up to 250 Nm³/h
 - High volumetric efficiency, low maintenance, more safety
 - Simple, compact design
 - Easy to maintain
 - Bedded on vibration dampening elements
 - Easy to install, no special foundation required
 - Long intervals between maintenance
 - Low total costs of ownership
-



GREENFIELD Europe
www.greenfield-comp.com

Part of the Atlas Copco Group

