
Natural Gas Dispenser FillMaster-COMPACT



GREENFIELD is your specialist for high-pressure systems. With a century of experience in this business we have been able to maintain and even improve our strong market position providing total solutions – from a single compressor to complete systems.

Today, GREENFIELD is the technology leader worldwide with its high-end premium products engineered in Switzerland.

With a century of experience in high-pressure technology and the fact of thousands of compressors installed worldwide, GREENFIELD is ready to serve your needs for peak performance and success in the market.

As part of the Atlas Copco Group GREENFIELD has global access to over 150 markets, which are served through our production facilities either in Switzerland or in the United States.

This comprehensive Sales and Service Network assures our customers direct access to the most reliable and technologically advanced equipment available.

FillMaster-COMPACT

Process-computer-controlled dispenser for refuelling of natural gas vehicles, available in single or dual hose execution. The electronically controlled filling process enables optimised refuelling

with the highest level of safety. The system ensures that tanks are filled to the maximum level, whilst at the same time preventing the risk of over-filling. Available with internal or external sequencing.

Available versions

COMPACT type	Flow meters	Refuelling hoses	Sequencing location
1.1-E (1.1-I)	1	1	External (Internal)
1.2-E (1.2-I)	1	2	External (Internal)
2.2-E (2.2-I)	2	2	External (Internal)

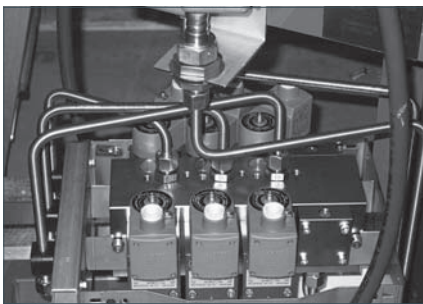
Technical data

Operating pressure:	300 bar
Refueling pressure:	200 bar at 15 °C, temperature compensated; 250 bar max.
Delivery rate:	40 kg/min (cars) or 77/120 kg/min (buses)
Refueling hose:	3/8" (cars), 1/2" (buses); length of 3 m
Refueling nozzle:	Standard commercial products
Front panels:	Stainless steel
Side panels:	Painted steel, RAL7035 (other colours available as an option)
Weight:	Approx. 200 kg
Transfer protocols:	Gilbarco 2-Wire (others available on request)



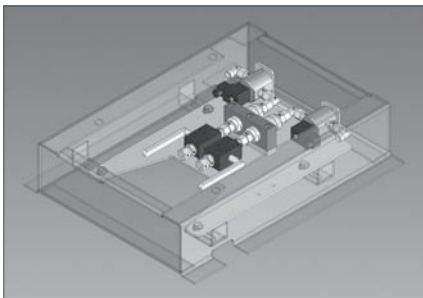
Standard Features

- GF standard high mast housing
- 300 bar operating pressure
- 200 bar refuelling pressure, temperature compensated
- 40 kg/min delivery rate (at free radiation to atmosphere)
- Interface for common station management systems
- Inlet filters, stainless steel tubing
- Coriolis type mass flow meters
- Solenoid valve operated
- Up to 2 refuelling hoses with opposite side service
- NGV1 refuelling nozzles
- Internal or external sequencing
- Weights and measures approval
- PED/ATEX conformity



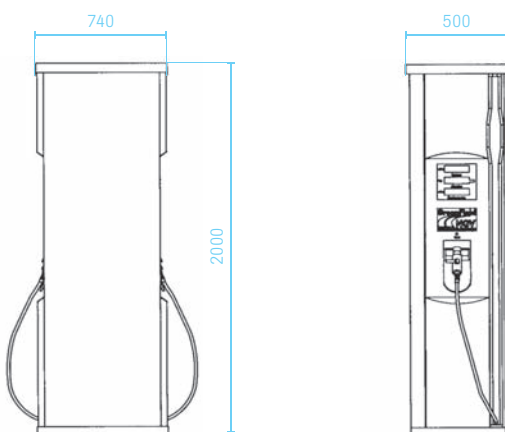
Available Standard Options*

- 250 bar refuelling pressure, temperature compensated
- 77/120 kg/min delivery rate for trucks or buses
- NGV2 refuelling nozzles
- Inlet pressure limiter for extended storage pressures
- Run over protection system
- 3rd party inspection by TUEV



* Other non-standard options on request.

Dimensions



FillMaster-COMPACT – Benefits at a Glance:

- Elegant and slim design
 - Small foot print
 - Can be integrated into new and existing filling stations with no need for extensive building work
 - Standard-, mid- and high-flow version
 - For refuelling of cars and buses
 - Available as stand-alone (S) or add-on (A) version
 - Short refuelling times
 - Direct connection to existing station management systems
 - Weights and measures approved
-

GREENFIELD Europe
www.greenfield-comp.com

Part of the Atlas Copco Group

