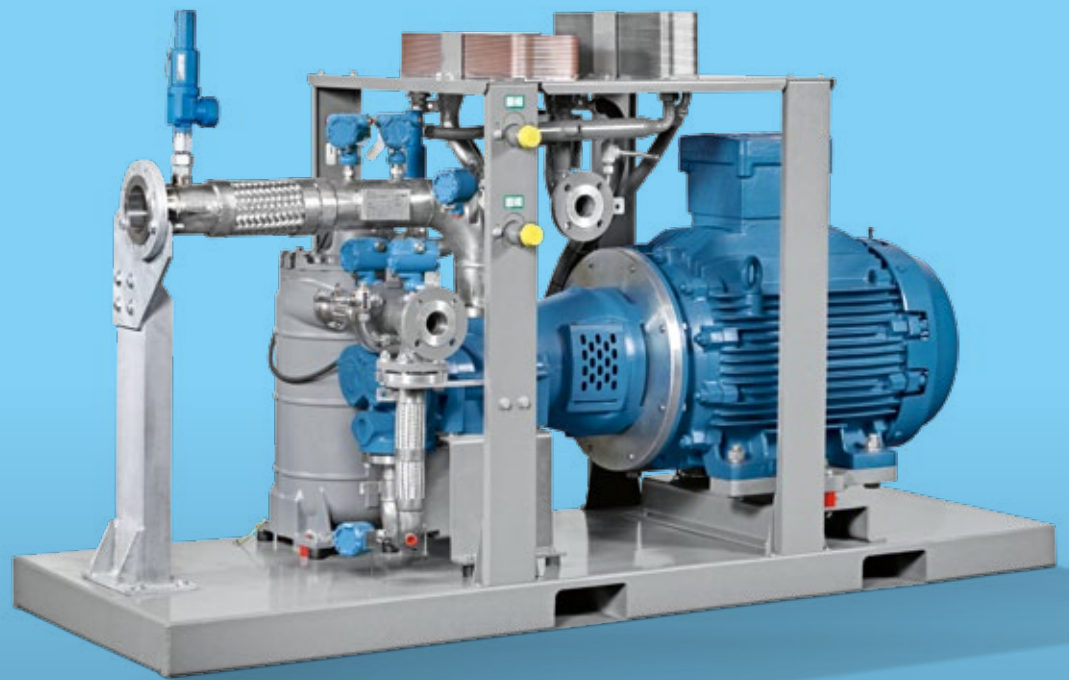

Gas Compressor Screw Compressor Type GG



Atlas Copco with its GREENFIELD product range is your specialist for gas systems. With a century of experience in this business we have been able to maintain and even improve our strong market position providing total solutions – from a single compressor to complete systems.

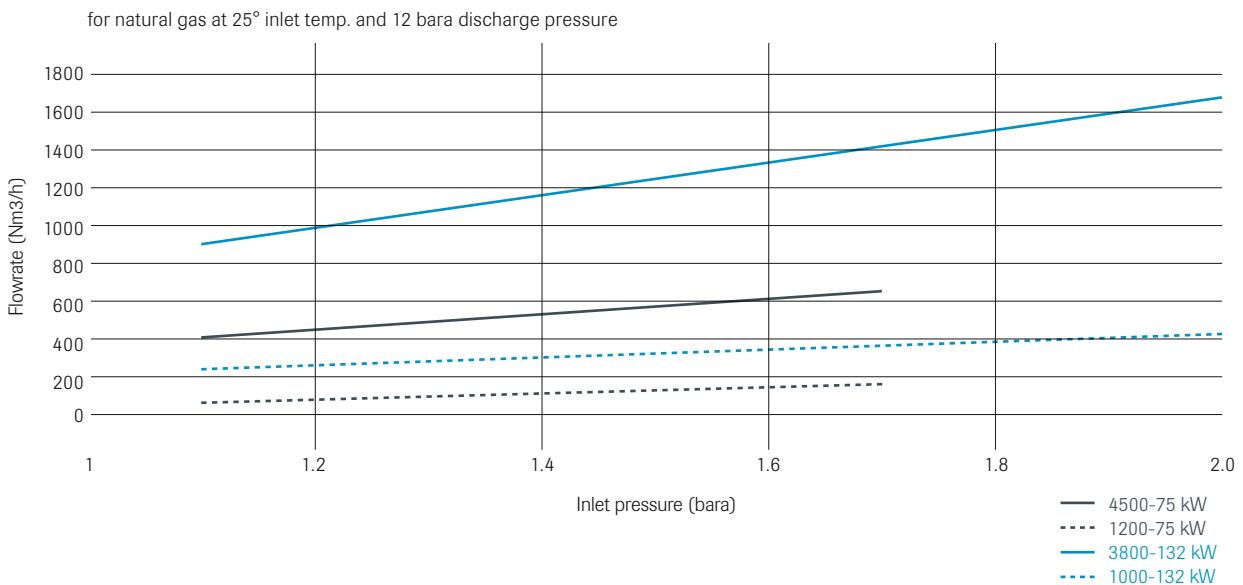
Today, the GREENFIELD product range is the technology leader worldwide with its high-end premium products engineered in Switzerland.

With a century of experience in high-pressure technology and the fact of thousands of the compressors installed worldwide, the GREENFIELD product range is ready to serve your needs for peak performance and success in the market.

Atlas Copco has global access to over 150 markets, which are served through our production facilities for high-pressure compressor either in France, the United States, India and China.

This comprehensive Sales and Service Network assures our customers direct access to the most reliable and technologically advanced equipment available.

Flow Rate Diagram



Compressor Type GG

The GG is a high efficient gas screw compressor, oil lubricated and water cooled in a single stage execution. This compressor is especially adapted to gas applications such as methane, bio methane

and natural gas. Most innovative and Cost saving is the Variable Speed Drive (VSD) which allows to regulate the capacity of the compressor to keep the inlet pressure constant.

Technical Data

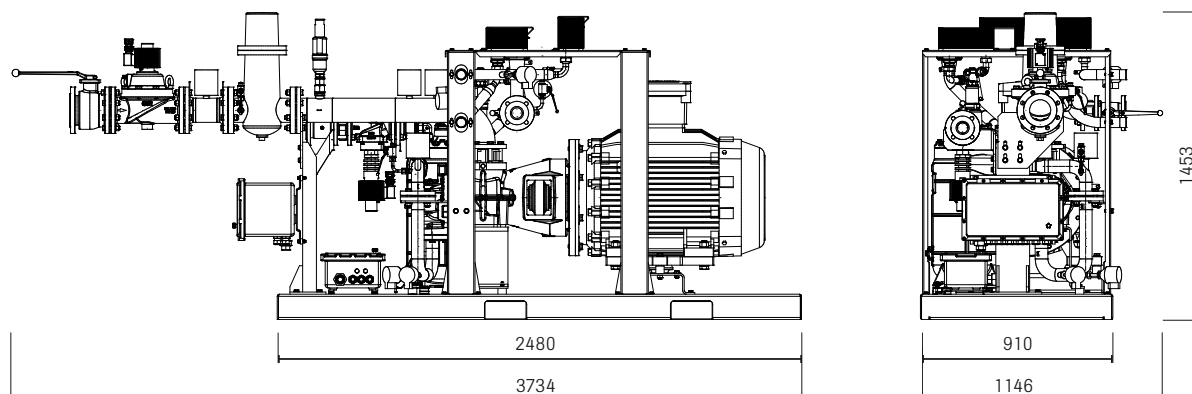
Operating conditions	GG 75	GG 132
Gas state	Dry	Dry
Inlet pressure min.	1.1 bara	1.1 bara
Inlet pressure max.	1.7 bara*	2.0 bara*
Discharge pressure min.	6 bara	6 bara
Discharge pressure max.	15 bara*	15 bara*
Min. pressure ratio	5	5
Max. pressure ratio	10	10
Flow rate at max. speed	390 Nm ³ /h**	860 Nm ³ /h**
Speed min.	1200 min ⁻¹	1000 min ⁻¹
Speed max.	4500 min ⁻¹	3800 min ⁻¹
Shaft power max.	75 kW	132 kW
Water flow (cooling)	around 10m ³ /h	around 10m ³ /h
Design pressure	PN16	PN16

* other datas on request

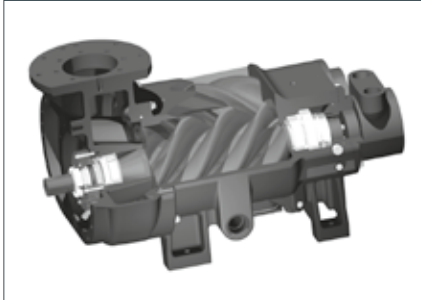
** of Natural Gas at 1.1 bara inlet, 12 bara outlet and 25°C inlet temperature

Dimensions

typical GG75

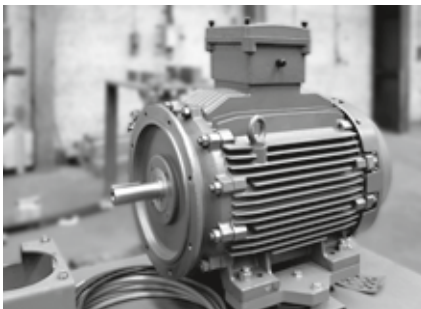


* under reserve of modification



Gas screw – a reliable design for gas applications

- High efficiency rotor profile maximizing gas flow at low energy cost
- Large diameter → slow turning rotors
- The Triplex bearings arrangement allow for extremely long durations
- The superior shaft seal design and unparallel precision manufacturing combine to ensure a durable quality year after year. Mechanical shaft seal protection
- A positive displacement gear-type fluid pump to lubricate both the rotors and the bearings can be added optionally



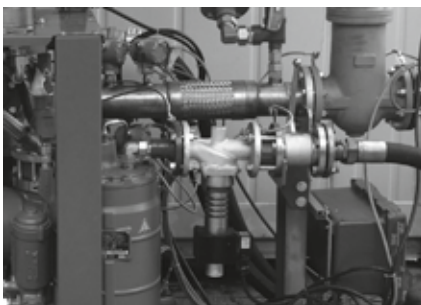
Drive mechanism

- Electric motor
- High efficiency direct drive coupling
- Variable Speed Drive (VSD)



Smart electrical cubicle

- Control panel with extras for safety for gas applications
- Easy control, colored screw giving all operational parameters, safety information and alarms



Filtration / Separation

- High efficiency oil filtration and separation
- Inlet gas filtration

Cooling

- Water cooled unit
- Aftercooler

Construction codes

- The unit is fully compliant to CE directives
- Other codes on request

Scope

- Compressor on frame, incl. Piping, instrumentation, drive motor, etc.
- Inlet train including insulation valves and inlet filter
- Outlet train
- Control cabinet (to be installed in a non-ATEX zone)
- Compressor to be installed in a building or under roof

The GG – Benefits at a Glance:

- High efficiency screw technology designed for gas applications
 - Smart regulation: 25–100% with Variable Speed Drive (VSD)
 - Constant pressure: Variable Speed Drive keeps the pressure constant and meets demands in your process
 - Durable design
 - Safety: no gas emission to atmosphere
 - No vibrations – low noise level
 - Low maintenance level – low cost of ownership during all operating life
 - Small footprint, easy to install, fitted on skid
 - Easy control with interactive screen
 - Full service back-up and support by Atlas Copco specialists worldwide
-



Atlas Copco

Sustainable Productivity

GREENFIELD
www.greenfield-comp.com

Part of the Atlas Copco Group